

PD81101ILQ-TR

ETSI TS 101 548-compliant, Single port, Power Sourcing Equipment (PSE) Driver

Microsemi's PD81101 is a single port, mixed-signal, high-voltage Power Sourcing Equipment (PSE) driver. The device is utilized in FTTdp Home Gateways, Modems and Routers and enables Reverse Power Feeding to the Distribution Point Unit (DPU) on the same data line connecting between DPU and Customer Premise Equipment (CPE). It enables detection of compliant Powered Devices (PDs), thus, ensuring safe power feeding and disconnection of ports with minimum of external components. With the external [PD81000](#) MCU, the PD81101 allows the development of fully ETSI TS 101 548 Residential Gateways.

Features

- Internal FET
- Internal Sense Resistor
- I²C or UART host interface
- ETSI TS 101 548 -compliant
- Support for RPF classes: 10W, 15W, 21W



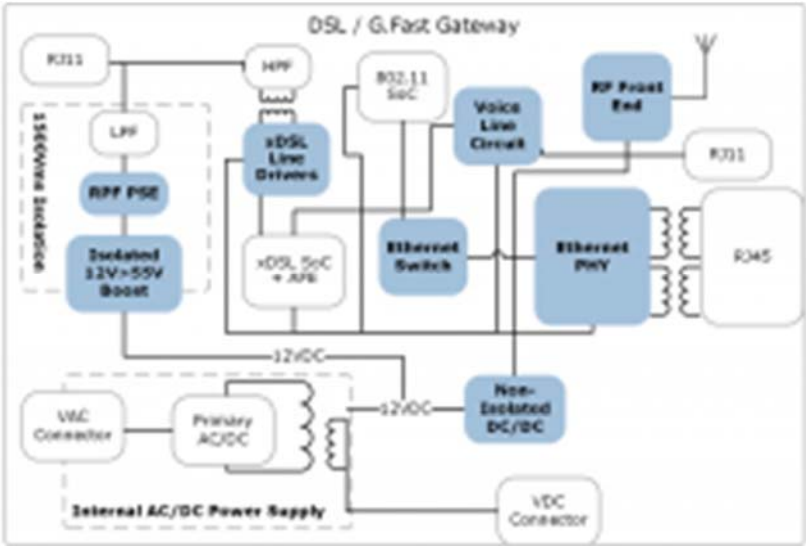
Package Carrier: Tape & Reel

Electrical Rating	Symbol	Min	Typ	Max	
Number of Channels	# of Ch.			1	channels
Environmental Rating	Symbol	Min	Typ	Max	
Operating Temperature	T _A			70	°C

Alphanumeric Parameter	
Standard	ETSI TS 101 548

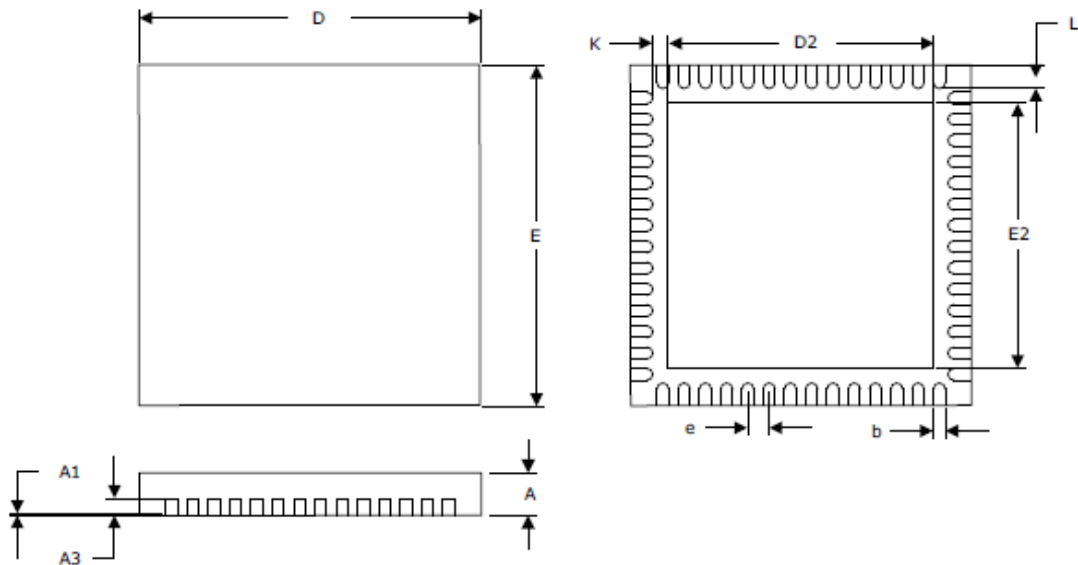
Featured Applications for PD81101ILQ-TR

DSL / G.Fast Gateway



Package Name: 56 QFN 8x8

Package Drawing



The following table lists the dimensions and measurements of the PD69204T4 package.

Table 21 • PD69204T4 Package Outline Dimensions and Measurements

Dim	Millimeters		Inches	
	Min	Max	Min	Max
A	0.80	1.00	0.031	0.039
A1	0.00	0.05	0	0.002
A3	0.20 REF		0.008 REF	
K	0.20 MIN		0.008 MIN	
e	0.50 BSC		0.02 BSC	
L	0.30	0.50	0.012	0.02
b	0.18	0.30	0.007	0.012
D2	6.50	6.75	0.256	0.267
E2	6.50	6.75	0.256	0.267
D	8.00 BSC		0.315 BSC	
E	8.00 BSC		0.315 BSC	

Note: Dimensions do not include protrusions; they should not exceed 0.155mm (.006) on any side. Lead dimension should not include solder coverage. Dimensions are in millimeters and inches for reference.